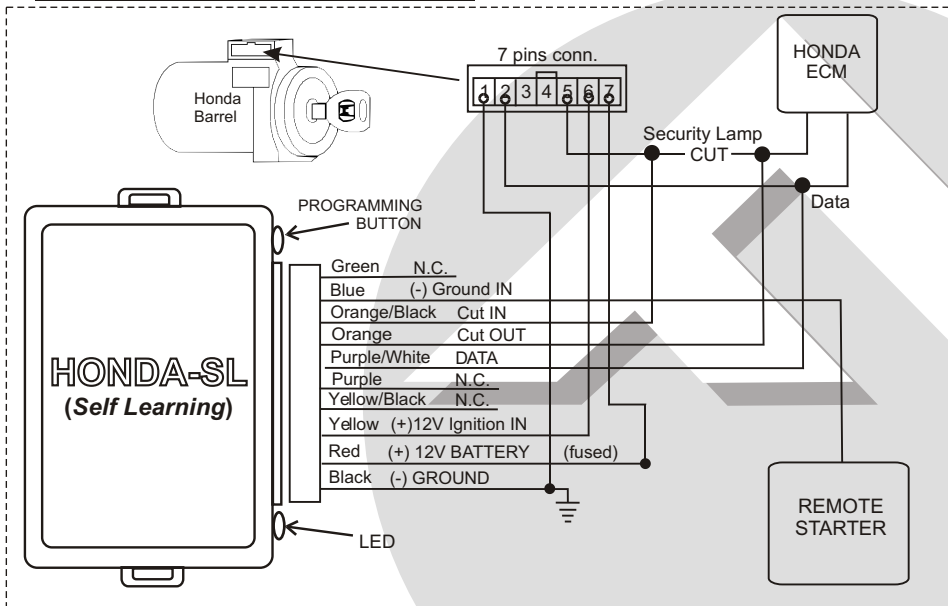


HONDA-SL



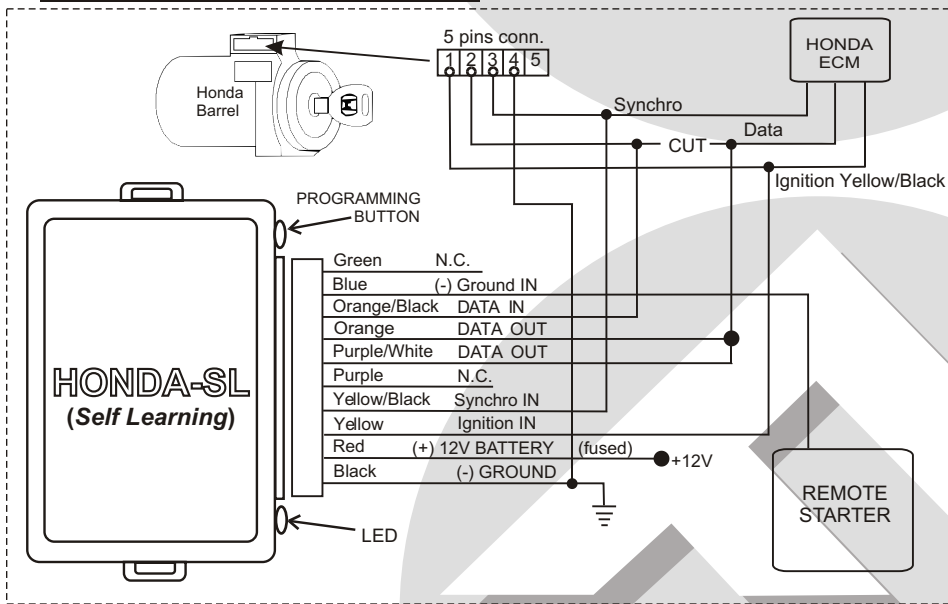
TRANSPONDER BYPASS MODULE (Self Learning) FOR HONDA AND ACURA

CONNECTIONS TYPE 1 :



VEHICLES LIST			CONNECTIONS	
	YEARS		TYPE 1	TYPE 2
HONDA	CIVIC	2001 - 2005		
	CRV	2002 - 2005		
	CRV	1998 - 2001		
	ACCORD	2003 - 2005		
	ACCORD	1998 - 2002		
	ELEMENT	2003 - 2005		
	ODYSSEY	2005		
	ODYSSEY	1999 - 2004		
	PILOT	2005		
	PILOT	2003 - 2004		
RIDGELINE	2006			
ACURA	1.7EL	2001 - 2005		
	1.6EL	1998 - 2000		
	INTEGRA	2000 - 2002		
	CL	1998 - 2003		
	RSX	2002 - 2005		
	TSX	2004 - 2005		
	TL	2004 - 2005		
	TL	1998 - 2003		
	MDX	2003 - 2005		
	MDX	2001 - 2002		

CONNECTIONS TYPE 2 :



WIRES COLORS TYPE 1				
		DATA	Security Lamp	GROUND
CIVIC	01 - 05	Red/Blue Pin #2	Blue/Orange Pin #5	Brown/Yellow Pin#1
CRV	02 - 05	White Pin #2	Blue/Orange Pin #5	Brown/Yellow Pin#1
ACCORD	03 - 05	Red/Blue Pin #2	Pin #5	Brown/Yellow Pin#1
ELEMENT	03 - 05	White Pin #2	Blue/Orange Pin #5	Brown/Yellow Pin#1
ODYSSEY	05	Red/Blue Pin #2	Blue/Orange Pin #5	Black Pin #1
PILOT	05	Pin #2	Pin #5	Brown/Yellow Pin#1
1.7EL	01 - 05	Red/Blue Pin #2	Blue/Orange Pin #5	Brown/Yellow Pin#1
RSX	02 - 05	Red/Blue Pin #2	Pin #5	Brown/Yellow Pin#1
TSX	04 - 05	Red/Blue Pin #2	Pin #5	Brown/Yellow Pin#1
TL	04 - 05	Red/Blue Pin #2	Pin #5	Brown/Yellow Pin#1
MDX	03 - 05	Red Pin #2	Pin #5	Brown/Yellow Pin#1
RIDGELINE	2006	Red/Blue Pin #2	Blue/Orange Pin #5	Brown/Yellow Pin#1

WIRES COLORS TYPE 2				
		DATA	Synchro	GROUND
1.6EL	98 - 00			
INTEGRA	00 - 02			
CL	98 - 03	Red Pin #2	Blue Pin #3	Brown/Yellow Pin #4
PILOT	03 - 04	Red Pin #2	Blue Pin #3	Brown/Yellow Pin #4
TL	98 - 03	Red Pin #2	Blue Pin #3	Brown/Yellow Pin #4
MDX	01 - 02	Blue/Green Pin #2	Orange/Blue Pin #3	Brown/Black Pin #4
CRV	98 - 01	Red Pin #2	Blue Pin #3	Brown/Black Pin #4
ACCORD	98 - 02	Red Pin #2	Blue Pin #3	Brown/Black Pin #4
ODYSSEY	99 - 04	Blue/Green Pin #2	Orange/Blue Pin #3	Brown/Black Pin #4

IMPORTANT

You must use the **Black key** to complete the programming procedure.

Programming :

- Keep the programming button pressed down while inserting the wire harness into connector of the HONDA-SL.
- Release the programming button once the LED flash 4 times.
- Turn the Ignition to the ON position.
- The number of LED flashes indicates the type of connections detected by the module.
- Turn the Ignition key to OFF position. The module is now programmed.
- Remove the key from the switch and start the vehicle using the remote starter to insure functionality.

Diagnose :

Ignition OFF, the LED flash twice follow with pause : Module none programmed.

Connections TYPE 1 :

- LED OFF : Ignition ON **without** Ground IN.
- LED ON : Ignition ON **with** Ground IN.

Connections TYPE 2 :

- LED KEEP FLASHING : Ignition ON **without** Ground IN.
- LED ON : Ignition ON **with** Ground IN.

TECHNICAL SUPPORT :

TEL : 514-255-0446 FAX: 514-255-1367

Web: <http://support.fortinautoradio.com>

Note: Neither the manufacturer or distributor of this module is responsible of damages of any kind indirectly or directly caused by this module, except for the replacement of this module in case of manufacturing defects.

VERSION : 1.0
Révision : June 28 2005

Web: <http://support.fortinautoradio.com>

MADE IN CANADA