

# PATS CHRYSLER

## TRANSPONDER BYPASS MODULE FOR CHRYSLER & DODGE

### Programming :

Once the connection are done.

**Two (2) functional vehicle keys** are required prior to beginning the programming procedure:

1- Insert the **first valid key** into the ignition switch and turn the it to **ON position for 5 seconds**.

2- Turn the key to the **OFF position** and remove the first key.

3- Insert the **second valid key** and turn the ignition switch to **ON position for 15 seconds**.

After **10 seconds**, a chime will sound and the **SECURITY** light will begin to flash. Turn the ignition key to **OFF position** and remove the second key.

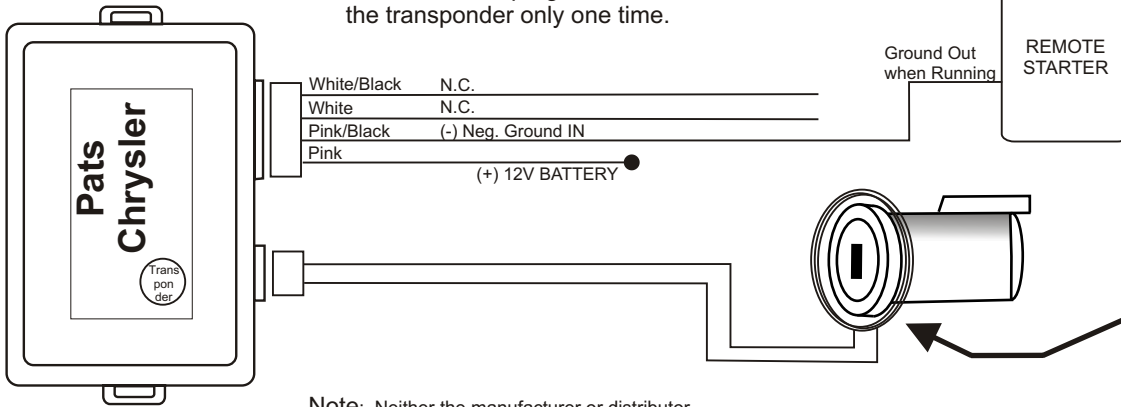
YOU NOW HAVE 60 SECONDS TO PROCEED TO THE NEXT STEPS.

4- Place the Transponder (show on the PATS label) close and toward the front of the ignition barrel for the next steps.

5- With the help of a jumper wire, **power up vehicule ignitions**.

6- After **10 seconds**, a chime will sound. The **SECURITY** light will stop flashing, then turn ON for 3 seconds, then turn OFF. The PATS module is now programmed.

Note : You can program the transponder only one time.



VERSION : 2.0  
MADE IN CANADA

Note: Neither the manufacturer or distributor of this module is responsible of damages of any kind indirectly or directly caused by this module, except for the replacement of this module in case of manufacturing defects.

**IMPORTANT :** Once the Pats Chrysler is programmed, it **can't** be programmed or use for and other Chrysler or Dodge vehicle.

### VEHICLE :

Chrysler / Dodge equipe with Transponder Immobilizer SENTRY ®

See Web site  
<http://support.fortinradio.com>  
Pats Chrysler application

### TECHNICAL SUPPORT :

TEL : 514-255-0446  
FAX: 514-255-1367  
Web: <http://support.fortinradio.com>

# PATS CHRYSLER

## TRANSPONDER BYPASS MODULE FOR CHRYSLER & DODGE

### Programming :

Once the connection are done.

**Two (2) functional vehicle keys** are required prior to beginning the programming procedure:

1- Insert the **first valid key** into the ignition switch and turn the it to **ON position for 5 seconds**.

2- Turn the key to the **OFF position** and remove the first key.

3- Insert the **second valid key** and turn the ignition switch to **ON position for 15 seconds**.

After **10 seconds**, a chime will sound and the **SECURITY** light will begin to flash. Turn the ignition key to **OFF position** and remove the second key.

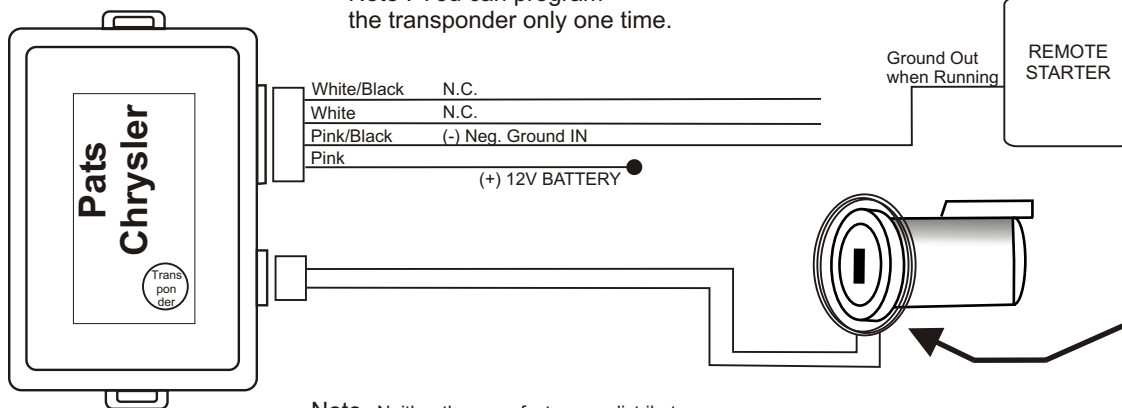
YOU NOW HAVE 60 SECONDS TO PROCEED TO THE NEXT STEPS.

4- Place the Transponder (show on the PATS label) close and toward the front of the ignition barrel for the next steps.

5- With the help of a jumper wire, **power up vehicule ignitions**.

6- After **10 seconds**, a chime will sound. The **SECURITY** light will stop flashing, then turn ON for 3 seconds, then turn OFF. The PATS module is now programmed.

Note : You can program the transponder only one time.



VERSION : 2.0  
MADE IN CANADA

Note: Neither the manufacturer or distributor of this module is responsible of damages of any kind indirectly or directly caused by this module, except for the replacement of this module in case of manufacturing defects.

**IMPORTANT :** Once the Pats Chrysler is programmed, it **can't** be programmed or use for and other Chrysler or Dodge vehicle.

### VEHICLE :

Chrysler / Dodge equipe with Transponder Immobilizer SENTRY ®

See Web site  
<http://support.fortinradio.com>  
Pats Chrysler application

### TECHNICAL SUPPORT :

TEL : 514-255-0446  
FAX: 514-255-1367  
Web: <http://support.fortinradio.com>