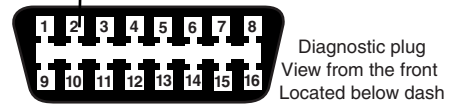
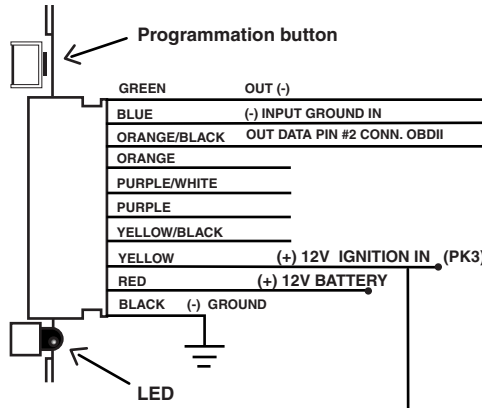
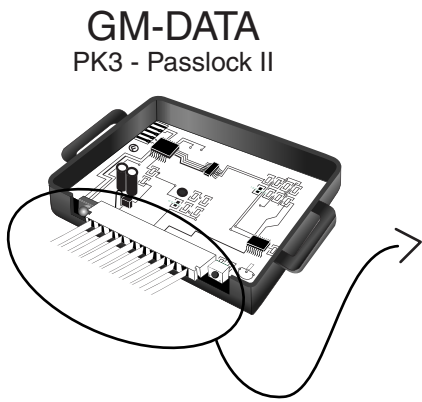
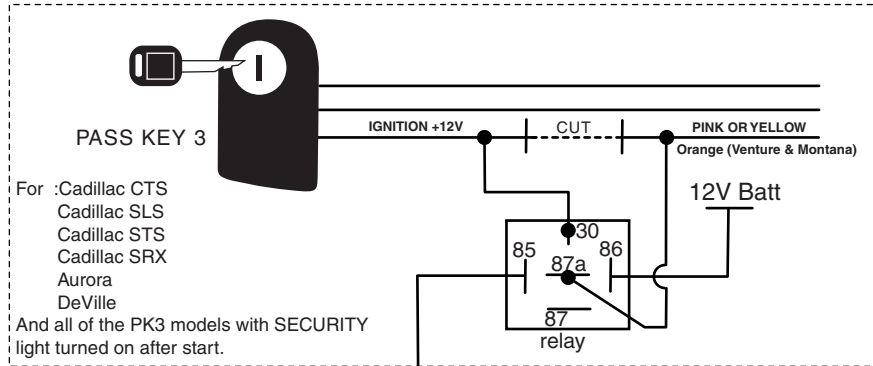


BYPASS (DATA) PK3 and PASSLOCK II

* This module does not control factory alarm



PROGRAMMATION SEQUENCE

- 1 Press the programming button while inserting the wire harness into GM DATA (PK3 - Passlock) module. The LED will turn ON to indicate the programming mode. Keep the programming button pressed while turning to the ignition ON. Release the programming button once the LED flashes rapidly.
- 2 Start the engine with the key. The LED will turn off to indicate the module has been programmed for either PK3 or PASSLOCK. Turn the key OFF, the module is now ready for use.

Option : Ignition (+) input use for select vehicles equipped with PK3 with SECURITY light turned on after start. See chart below.

Vehicle	Year				
	98	99	00	01	02 03 04
Rainier					•
Bravada		•	•	•	•
Envoy		•	•	•	•
Trailblazer		•	•	•	•
Avalanche		•	•	•	•
Escalade		•	•	•	•
C/K Pick Up		•	•	•	•
Silverado		•	•	•	•
Sierra		•	•	•	•
Suburban		•	•	•	•
Tahoe		•	•	•	•
Yukon All		•	•	•	•
Hummer H2					•
Aurora		?	•	•	?
SRX					•
CTS					•
Deville		?	•	•	•
Le Sabre			•	•	?
Bonneville			•	•	?
Park Avenue			?	•	?
SLS			?	•	?
STS		?	•	•	?
GM DATA (PK3, Passlock II)					
Alero		•	•	•	•
Astro		•	•	•	•
Blazer		•	•	•	•
Cavalier		•	•	•	•
Express Van		•	•	•	•
Grand Am		•	•	•	•
Impala		•	•	•	•
Intrigue		•	•	•	•
Monte Carlo		•	•	•	•
S-10		•	•	•	•
Safari		•	•	•	•
Saturn Serie S		•	•	•	•
Savana		•	•	•	•
Sonoma		•	•	•	•
Sunfire		•	•	•	•
Grand Prix		NOT COMPATIBLE			
Montana		•	•	•	•
Rendez-vous		•	•	•	•
Silhouette		•	•	•	•
Venture		•	•	•	•
Aztek		•	•	•	?

Note: Neither the manufacturer or distributor of this module is considered to be responsible of damages of any kind indirectly or directly caused by this module, except for the replacement of this module in case of manufacturing defects.

Part Number : GMDAPK3

Made in Canada

VR: 1.2
Revision : April 23 2004

• -- Tested and functional.
? -- NON Tested but should be functional.