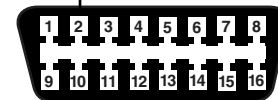
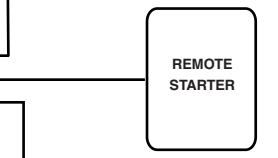
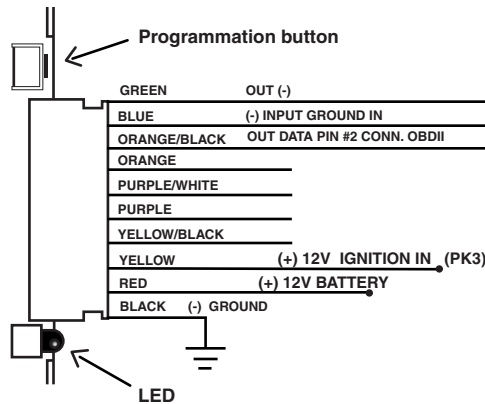
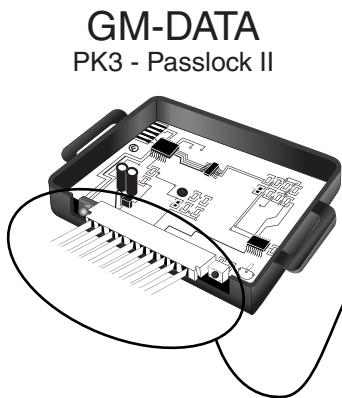
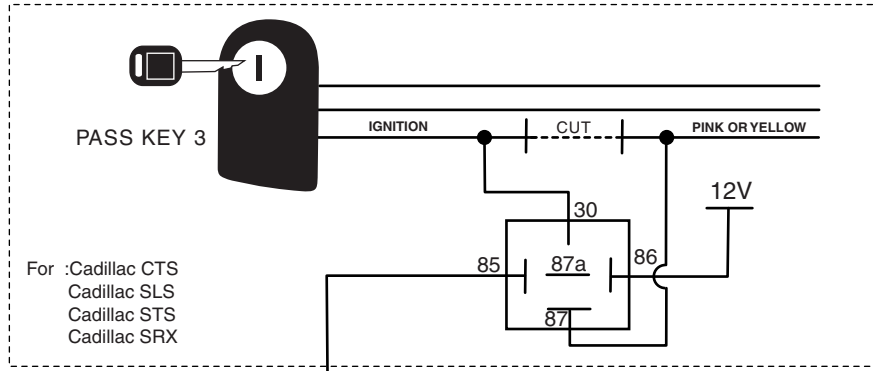


BYPASS PK3, PASSLOCK II

* This module does not control factory alarm



Diagnostic plug
View from the front
Located below dash

PROGRAMMATION SEQUENCE

- 1 Press the programming button while inserting the wire harness into GM DATA (PK3 - Passlock) module. The LED will turn ON to indicate the programming mode. Keep the programming button pressed while turning to the ignition ON. Release the programming button once the LED flashes rapidly.
- 2 Start the engine with the key. The LED will turn off to indicate the module has been programmed for either PK3 or PASSLOCK. Turn the key OFF, the module is now ready for use.

Note: Neither the manufacturer or distributor of this module is considered to be responsible of damages of any kind indirectly or directly caused by this module, except for the replacement of this module in case of manufacturing defects.

Part Number : GMDAPK3

Made in Canada

VR: 1.2
Revision : Dec. 02 2003

Vehicle	Year						
	98	99	00	01	02	03	04
Bravada					•	•	?
Envoy					•	•	?
Trailblazer					•	•	?
Avalanche			•	•	•	•	?
Escalade			•	•	•	•	?
GM Truck			•	•	•	•	•
Hummer					•	•	?
PK3							
Aurora			?	•	•	•	?
SRX							?
CTS						•	?
Deville			?	•	•	•	?
Le Sabre					•	•	?
Park Avenue					•	•	?
SLS					?	•	?
STS					?	•	?
Passlock II							
Aztek					•	•	?
Alero					•	•	?
Astro	•	•	•	•	•	•	?
Blazer	•	•	•	•	•	•	?
Cavalier					•	•	?
Express	•	•	•	•	•	•	?
Grand Am					•	•	?
Impala					•	•	?
Intrigue	•	•	•	•	•	•	?
Monte Carlo					•	•	?
S-10	•	•	•	•	•	•	?
Safari	•	•	•	•	•	•	?
Saturn Serie S					•	•	?
Savana	•	•	•	•	•	•	?
Sonoma	•	•	•	•	•	•	?
Sunfire					•	•	?
PK3							
Grand Prix	NOT COMPATIBLE						
Montana					•	•	?
Rendez-vous					•	•	?
Silhouette					•	•	?
Venture					•	•	?

• -- Tested and functional.
? -- NON Tested but should be functional.