

# Transponder Bypass, Factory Alarm and Door-Lock control for all Chrysler vehicle

USA & CANADA VEHICLES

## PROGRAMMATION : DATA portion

Once the connections are done.

Connect the connectors 2 and 3, following with connector 1. Turn the key ON, wait a few secondes, the horn or key buzzer will be heard 3 times. Turn the key OFF. The DATA portion of the module is now ready to work.

## PROGRAMMATION : TRANSPONDER portion

The programming procedure of Transponder required 2 functional keys. Keep the keys separate from one another while performing the programming. Each step must be completed within the indicated delay, otherwise the CHRDA module will not program properly.

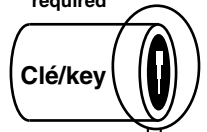
- 1- Insert the **first functional vehicle key** into the ignition cylinder and turn ignition to the ON position. Maintain ignition in the ON position for **8 to 10 seconds**.
- 2- Turn the key to the OFF position and **remove the first key**.
- 3- **Within 10 seconds** of turning ignition to the OFF position, insert the **second functional key and turn ignition to the ON position**. Maintain ignition in the ON position for 8 to 10 seconds.
- 4- Depending on the vehicle model, **the vehicle security light will begin to flash or an audible tone will sound** to indicate you have accessed the vehicle programming mode.
- 5- Turn the key to the OFF position and **remove the second key**.
- 6- Within 30 seconds of turning the key OFF position, place the Transponder of **CHRDA module (show on the label)** close and toward the front of ignition barrel , with the help of a jumper power up **12Volts to the vehicle ignition**. Approximately 8 to 10 seconds afterwards the security light will stop flashing indicating the CHRDA has successfully been programmed.

Disconnect 12V from ignition jumper. Note: you can also temporarily replace the internal circuitry of one of the vehicle Key-remote by the CHRDA for programming than you will not have to jump 12V ignition.

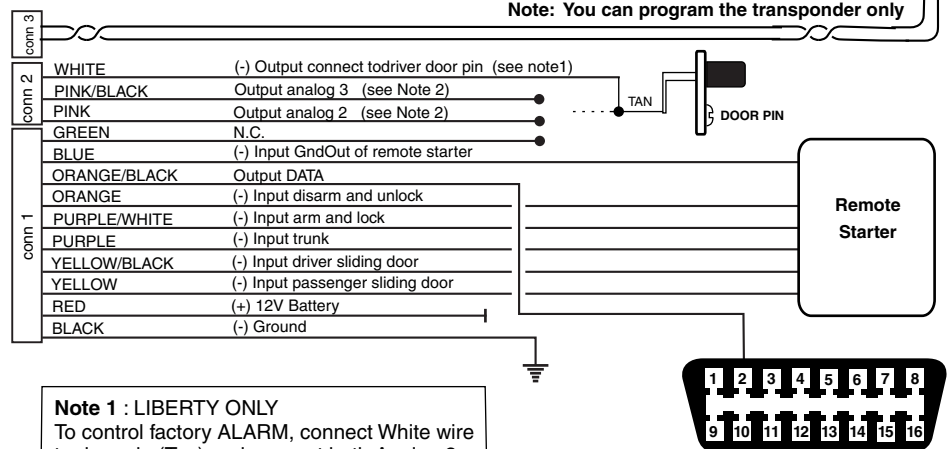
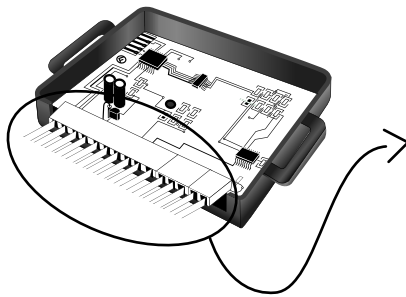
7- Remotely start the vehicle. The engine will run if the programming procedure was successfully completed. If the programming procedure was unsuccessfully completed, the engine will not run and the vehicle security light flash. In such a case repeat the above procedure beginning with step 1.

\*\* NOTE : Do not attempt to remotely start the vehicle more than 4 consecutive times with a non functional CHRDA module.

2 to 5 turns of loop is required



## CHRYSLER DATA ALL



Note: You can program the transponder only

### Note 1 : LIBERTY ONLY

To control factory ALARM, connect White wire to door pin (Tan) and connect both Analog 2 and 3 (Pink/Black and Pink) to vehicle.

Note: Neither the manufacturer or distributor of this module is considered to be responsible of damages of any kind indirectly or directly caused by this module, except for the replacement of this module in case of manufacturing defects.

Diagnostic plug View from the front  
Located below dash

### Note 2 :

Vehicle	Year				Fonctions					PINK/BLACK	PINK			
	98	99	00	01	02	03	04	Transponder Bypass	Door-lock control	Trunk open control	Factory alarm control	Sliding door control	Door Lock With Factory Alarm Analog 3	Door Lock Without Factory Alarm Analog 2
Cherokee	•	•	•	•	•	•	•	✓	✓		✓		None	None
Grand Cherokee	•	•	•	•	•	•	•	✓	✓		✓		None	None
Wrangler ( Tj )	•	•	•	•	•	•	•	✓	✓		✓		None	None
Liberty	98	99	00	01	02	03	04	✓	✓	✓	✓		SEE NOTE 1	SEE NOTE 1
Dakota					•	•	•	✓	✓		✓		Lt. Green/Orange	White/Green
Durango					•	•	•	✓	✓		✓		Lt. Green/Orange	White/Green
300m	98	99	00	01	02	03	04	✓	✓	✓	✓		Lt. Green/Orange	White/Green
Concorde					•	•	•	✓	✓		✓		Lt. Green/Orange	White/Green
LHS					•	•	•	✓	✓		✓		Lt. Green/Orange	White/Green
Intrepid					•	•	•	✓	✓		✓		Lt. Green/Orange	White/Green
RAM							•	✓	✓		✓		Lt. Green/Orange	White/Green
RAM 2004							•	✓	✓		✓		Violet / Lt. Blue	Violet / Green
PT Cruiser					•	•	•	✓	✓	✓	✓		White/Green	White/Green
	Neon				•	•	•							
Sebring	98	99	00	01	02	03	04	✓	✓	✓	✓		Lt. Green/Orange	White/Green
Stratus					•	•	•	✓	✓		✓		Lt. Green/Orange	White/Green
Town & Country	98	99	00	01	02	03	04	✓	✓	✓	✓	✓	Violet/Blue	Violet/Green
Caravan					•	•	•	✓	✓		✓	✓	Violet/Blue	Violet/Green
	98	99	00	01	02	03	04							

Vehicles Wires Colors  
( Wires located at the BCM or driver kick panel )