

QUICK START GUIDE

Thank-you for your purchase!

You've made the decision to have full control of your vehicle. Follow the steps below to begin a new era of vehicle controls.

1. Ensure you have the Serial # for your device.
2. Visit our website and click on the "Activate" tab,
3. Select YOUR model number (device type) and and fully complete form

Once submitted you will receive a confirmation email from Northsat Distribution with the details of your device activation.

1 855 287 4477 autoconnectgps.com

TAKE CONTROL OF YOUR VEHICLES LIKE NEVER BEFORE!

- Start, Lock, Unlock, open your trunk (*AC200GPS3G Only)
- Know the vital statistics of your vehicle(s)
- Request a vehicle(s) Location On-Demand
- Monitor vehicle(s) for Aggressive Driving and Excessive Idling
- Know where your vehicle(s) went, and how they got there

ON ALL THREE MAJOR PLATFORMS



INSTALLER PORTAL

1

DETERMINE INSTALLATION TYPE

When installing an Autoconnect device you must first determine the installation type. The following pages will help you determine the type and instructions for installation.

2

INSTALL YOUR AUTOCONNECT GPS MODEM

- Choose proper installation location ensuring to follow instructions on install guide
- Determine with customer if installation is to be stealth (not visible)
- Have label facing the sky and clear from any metal above it.
- Actual location will vary by vehicle year, make and model.

TIP


WE RECOMMEND AFFIXING THE SID STICKER TO THE DOOR JAMB OF THE VEHICLE

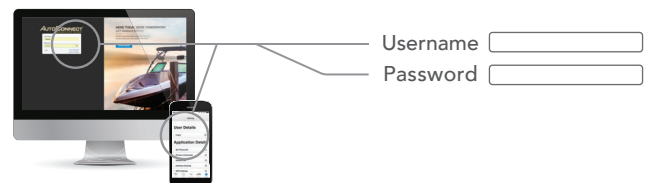
3

TEST THE DEVICE FUNCTIONS

TIP

Choose the proper IC3 Protocol if applicable before sending any test commands

- Click on the **Customer Log-in**  icon at the top of any page of the autoconnectgps.com website or download the free App for your mobile device.
- Each Device comes with "TEST DATA" for you to test all functions. This data will expire a few days after installation.
- Use the SID# for USERNAME and PASSWORD.



Attention: This modem is shipped temporarily pre-activated for the installer to send up to 50 test commands before having to send in the activation form.

STEP 1: Determine Installation Type and Options

Depending upon your requirements, the AC200GPS3G module can be installed in a variety of ways.

Fortin EVO-ALL (Standalone FW)

Fortin EVO-ONE

STEP 2: Complete the wire connections according to the selected Installation Type.

Please see the following pages for detailed instructions and wiring diagrams.

STEP 3: Position the AC200GPS3G Module in an Optimal Location

Failure to adhere to these suggestions will result in a weak cellular and/or GPS signal and will affect the performance of the device.

- Secure in upper portion of dash in a hidden location with correct side pointing skyward. (label will indicate proper orientation)

- Do not cover with metal or position near any source of interference (Vehicle Radio, BCM). Keep a safe distance of at least 24".

STEP 4: Confirm LED Status

Blue: 2 Flashes / Second Connected / Online

Green: 1 Flash / Second Valid GPS

STEP 5: Confirm Vehicle Connectivity and GPS location

Each AC200GPS3G device is shipped pre-activated for the installer to send up to 50 test commands before having to complete the online activation form. It is HIGHLY recommended that you follow one of the test procedures below to ensure proper functionality. Alternatively you can call Certified Tracking Solutions and we will perform the test with you.

For Live Tech Support:
Call Certified Tracking Solutions at 1-780-391-3800.
Toll Free 1-855-287-4477(CTS-4GPS)
Monday to Friday 8AM to 5PM MST
AutoConnectGPS.com

Test procedure

1) Login to view and test the AC200GPS device

A: via the AutoConnect website

B: via the AutoConnect Smartphone App

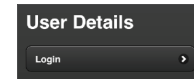
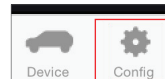
a) Go to www.AutoconnectGPS.com and click on "Customer Login"



b) Enter the AC200GPS3G's Serial# (ESN) for both the User Name and password.
c) Click Login.

The AutoConnect website dashboard should load and display the Serial number of the AC200GPS3G device that you are installing.

a) Download the AutoConnect Smartphone app by searching "Autoconnect GPS" for iPhone, Android or Blackberry
b) Open App and click on "Config" then "Login"



c) Enter the AC200GPS3G's Serial# (ESN) for both the User Name and password.

d) Click "Save"



2) Test Vehicle GPS Connectivity

A: via the AutoConnect website

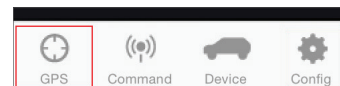
B: via the AutoConnect Smartphone App

The successful completion of this section will enable you to see the current position of the AC200GPS3G device on the dashboard/Smartphone map.

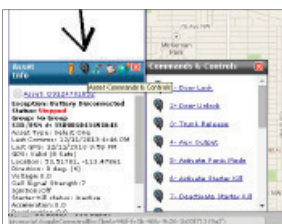
a) Click on device serial # on the left side of the screen. The asset info box will open on the bottom left corner of the screen.



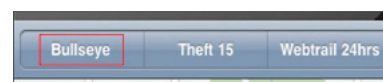
a) Click on the "GPS" tab



b) Click on the "Asset Commands & Controls" icon located at the top of the Asset Info box*

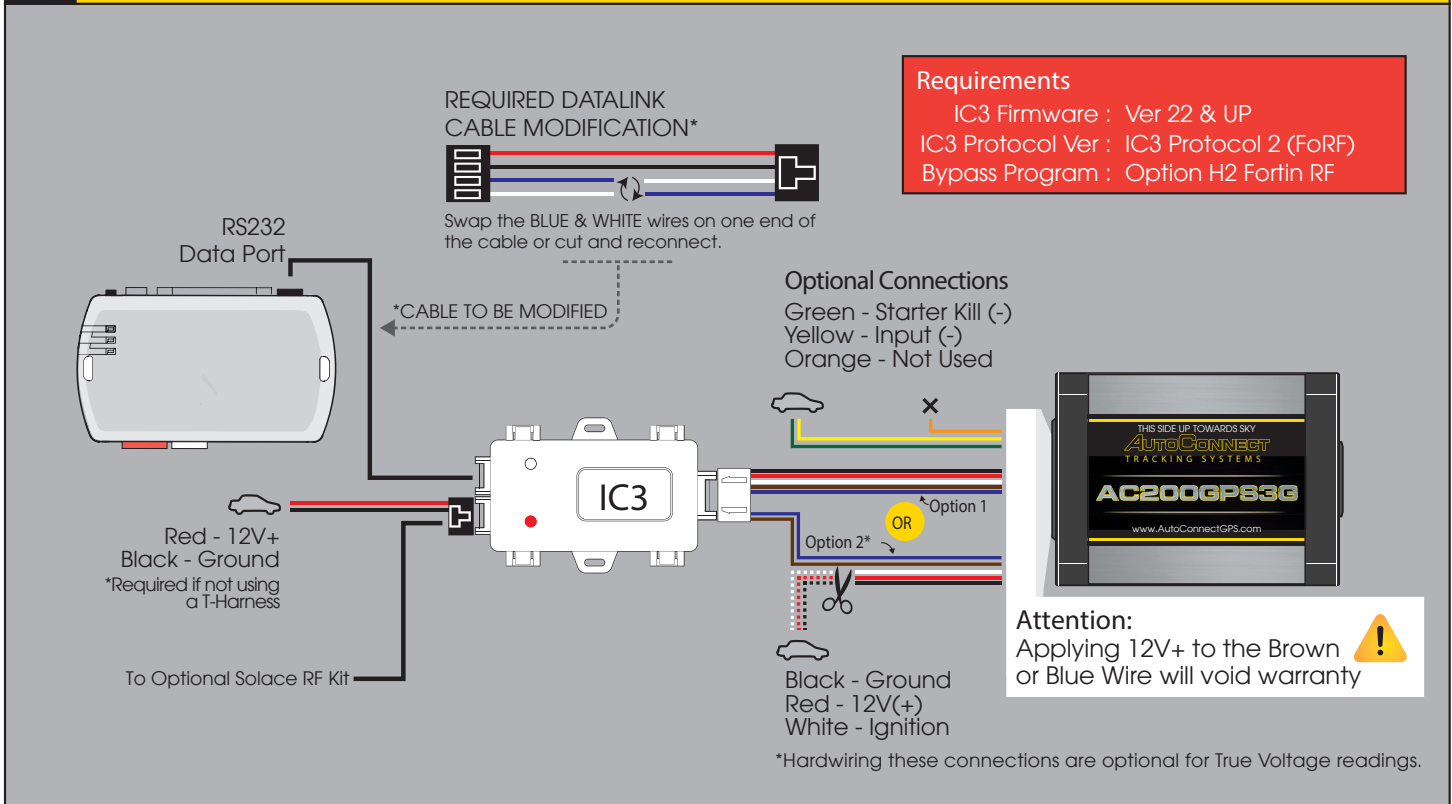


b) Click on the "Bullseye" button at top left of screen



*if using Type 2 to Type 9 please ensure you have selected appropriate data protocol

Fortin EVO-ALL (Standalone FW)



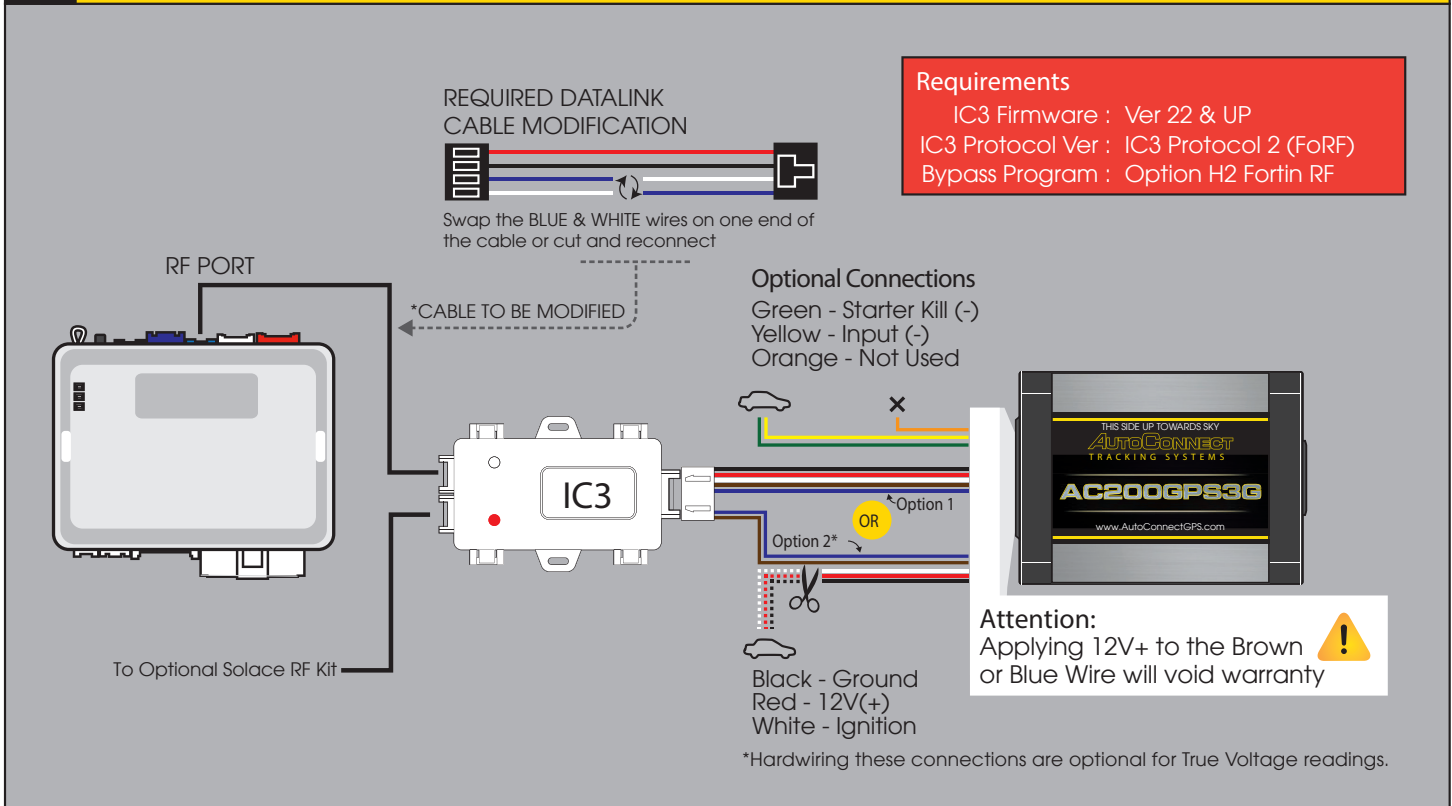
Installation Steps

1. Program EVO-ALL as per Fortin installation instructions for vehicle. (Ensuring to select option H2 in Flashlink Manager) or visit http://fortin.ca/download/20101/autoconnect_evo-all.pdf
2. Complete installation as per Fortin installation diagram including the programming of the bypass module.
3. Ensure you have swapped the BLUE & WHITE wires on datalink cable between the IC3 and Fortin module.
4. Connect Data link cable from IC3 to RS232 port on EVO-ALL (Ports are interchangeable on IC3). Connect Power and Ground if not using a T-Harness.
5. For true voltage cut and hardwire the Red, Black, and White directly from the Autoconnect device to the vehicle.
*DO NOT CUT THE DATALINK CABLE
6. Scroll to the bottom of the commands and send the required Installer Protocol.
7. For Fortin EVO-ALL select IC3 Protocol 2 (FoRF)
8. Program the Autoconnect to Fortin module by performing the following:
 - Hold programming button while inserting datalink cable to EVO-ALL. Release button when Blue & Red LED's Turn on
 - Press and hold the programming button on the EVO-ALL (The LED's will turn off then back on approx 5 seconds), release button
 - Turn Ignition ON (ALL 3 LED's should be on now)
 - Send the Lock command from the Autoconnect. The Blue and Red LED's should flash once.
 - Turn Ignition OFF
9. Mount the Autoconnect module as described in Autoconnect Install.

Programming and Testing

1. Open the Autoconnect App or Dashboard
2. Log in to the Autoconnect device installed using the SID # as both username and password.
3. Go to the command tab on the bottom of the app, or the remote function of dashboard
4. Test all the application functions (Start, Stop, Lock, Unlock, Auxiliaries, ETC. GPS).
5. We recommend affixing the SID Sticker to the door jamb of the vehicle.

Fortin EVO-ONE



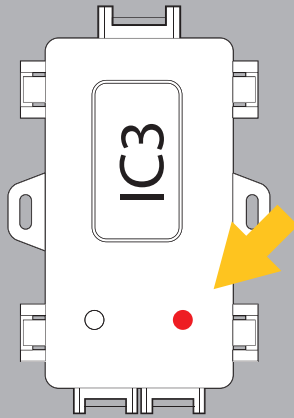
Installation Steps

1. Program EVO-ONE as per Fortin installation instructions for vehicle (Ensuring to select option H2 in Flashlink Manager) or visit http://fortin.ca/download/26701/autoconnect_evo-one.pdf
2. Complete installation as per Fortin installation diagram.
3. Ensure you have swapped the BLUE & WHITE wires on datalink cable between the IC3 and Fortin module.
4. Connect Data link cable from IC3 to BLUE RF PORT on EVO-ONE (Ports are interchangeable on IC3).
5. For true voltage cut and hardwire the Red, Black, and White directly from the Autoconnect device to the vehicle.
*DO NOT CUT THE DATALINK CABLE
6. Scroll to the bottom of the commands and send the required Installer Protocol.
7. For Fortin EVO-ONE select IC3 Protocol 2 (FoRF)
8. Program the Autoconnect to Fortin module by performing the following:
 - Turn Ignition On.
 - Press and hold the Valet switch until LED flashes then release. Then press Valet switch 5x.
 - Press and release the brake pedal.
 - Send the Lock command from the Autoconnect. The park lights will flash once to confirm.
 - Press and release the brake pedal then turn ignition OFF.
9. Mount the Autoconnect module as described in the Autoconnect Install guide Step 3.

Programming and Testing

1. Open the Autoconnect App or Dashboard
2. Log in to the Autoconnect device installed using the SID # as both username and password.
3. Go to the command tab on the bottom of the app, or the remote function of dashboard
4. Test all the application functions (Start, Stop, Lock, Unlock, Auxiliaries, ETC. GPS).
5. We recommend affixing the SID Sticker to the door jamb of the vehicle.

Red LED ●



FLASHING

Quick flashes

FW Verison Number
eg, 2 quick then 2 quick = Ver 22

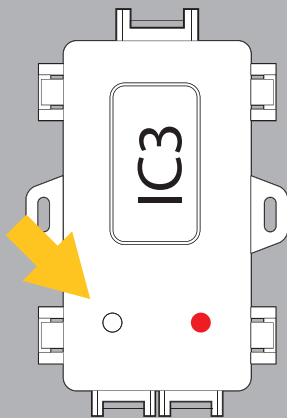
Slow flashes

Data Protocol Version
eg, 5 Flashes = IC3 Data Protocol 5 (SO/TI)

Solid ON = Ignition ON

Solid OFF = Ignition OFF

White LED ○



FLASHING

1 Flash = AC200 to Device

2 Flashes = Device to AC200